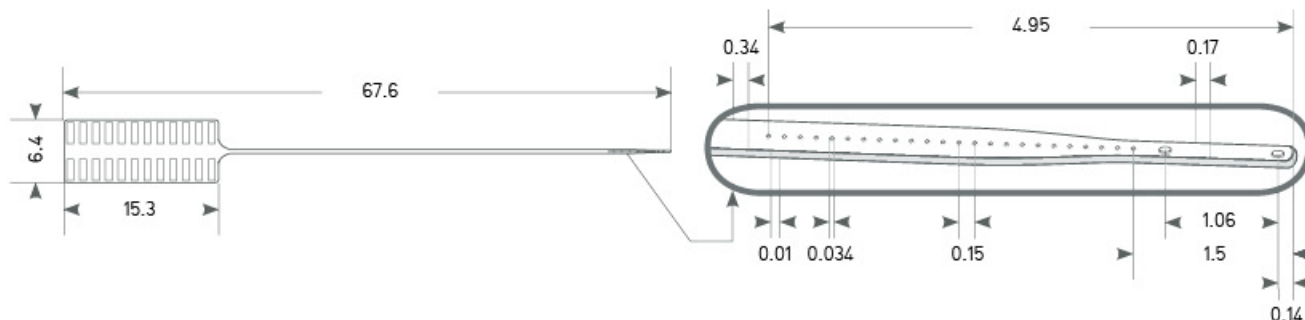


## Fries-Lewis FlexShaft 24

The next generation of shaft electrodes for spike recordings: 24 channels on a flexible and thin depth electrode. As insertion aids, two types of inserters developed and designed by Ernst Strüngmann Institute are available.

**General Information:**

- Learn more about our materials on page 38.
- For more information about connectivity options (cables, connectors etc.), see page 31.
- Product can be supplied sterile.

**View:**

Contact openings are shown face up

The product will be supplied with a FlexShaft Inserter developed and designed by Ernst Strüngmann Institute (patent application pending).

Product Configuration	Catalogue Number
Platinum	9251.1007

Connectivity Options
For this design, we recommend: • Harwin M50-310 connector
Other connectivity options are available upon request. Please see page 31 for further information.



sales@cortec-neuro.com



www.cortec-neuro.com



+49 761 897 69 45 20 / 21

Copyright on all information and drawings is held by CorTec GmbH. Drawings represent the product in an abstract way and are not necessarily to scale. **All dimensions in mm.** For pricing, please request a quotation.